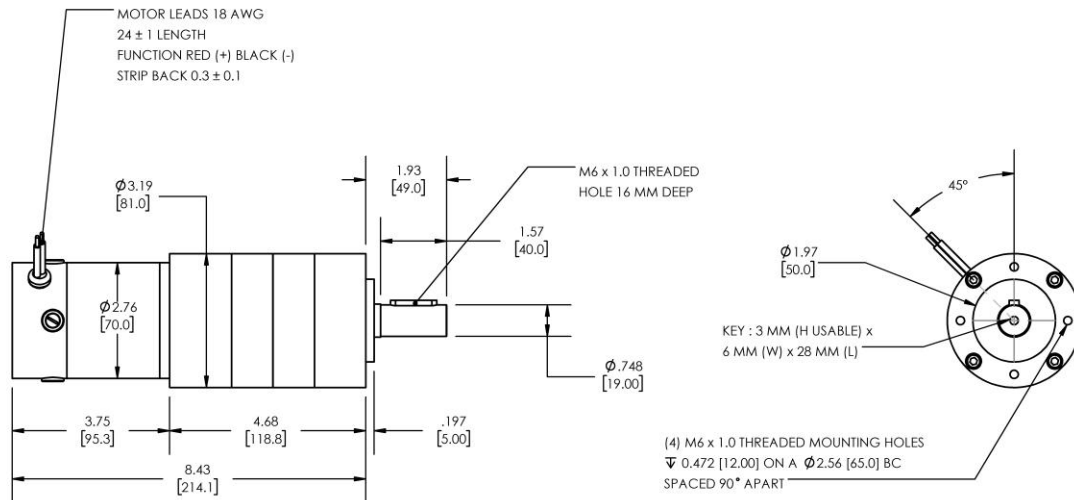


Model Number:
MMP S27-411J-60V GP81-014


DIMENSIONS ARE INCHES [MM] UNLESS OTHERWISE STATED

PLANETARY GEARMOTOR OUTPUT PARAMETERS:	VALUE	UNITS	TOLERANCE
Gearhead Ratio (exact)	13.73 : 1		
Gearhead Shaft Output Speed (at full-load)	179	RPM	MAX
Gearmotor Rated Continuous Torque	76	In-Lbs	MAX
Gearmotor Rated Peak Torque	279++	In-Lbs	----
Gearhead Standard Backlash	33	Arc Minutes	MAX
Gearhead Efficiency	75%	----	----
Output Shaft Radial Load Capacity	135	Lbs	MAX
Output Shaft Axial Load Capacity	27	Lbs	MAX
Gearmotor Total Weight	8.9	Lbs	MAX

++ All Peak Torque values are dependent upon duty. Contact our sales office for details.

DC MOTOR PERFORMANCE PARAMETERS:	VALUE	UNITS	TOLERANCE
Rated DC Voltage	60	DC VOLTS	----
Rated Continuous Current	5.31	AMPERES	----
No-Load Speed	3125	RPM	MAX
Rated Speed	2462	RPM	+/- 15%
Rated Continuous Power Out	215	WATTS	+/- 15%
Rated Continuous Torque	118	OZ-IN	----
Peak Torque (motor only)	433	OZ-IN	----
No-Load Current	0.77	AMPERES	MAX
Back EMF Constant (Ke)	19.2	V/KRPM	+/- 10%
Torque Constant (Kt)	26.0	OZ-IN/AMP	+/- 10%
DC Armature Resistance	2.40	OHMS	+/- 15%
Armature Inductance	1.40	mH	+/- 15%
Armature temperature	155	DEG. C	MAX

NOTES:

- ENCODER & BRAKE OPTIONS AVAILABLE – [FOLLOW THIS LINK FOR DETAILS](#)
- NEMA MOUNTING FLANGE OPTION AVAILABLE – [FOLLOW THIS LINK FOR DETAILS](#)

MIDWEST MOTION PRODUCTS

DESIGN, MANUFACTURING & DISTRIBUTION - MOTION CONTROL EQUIPMENT
www.midwestmotion.com

 email: sales@midwestmotion.com